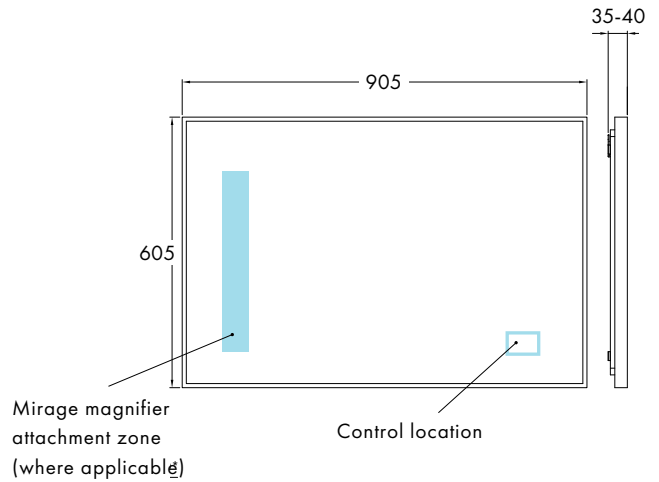


FRAMED R-SERIES 900

LED MIRROR

PRODUCT CODE

RN90DF



MEASUREMENTS

WIDTH	905mm
HEIGHT	605mm
DEPTH	35-40mm

INSTALLATION

Wall mount (Split batten system)
 Plug-in (Recessed GPO recommended)
 Input voltage: 220-240v 50/60Hz

CONTROL OPTIONS

	Code
Touch sensor with guide light	C1
Hand wave sensor within 9cm	C2



Touch Sensor



Hand Wave Sensor

OPTIONAL ADD-ONS

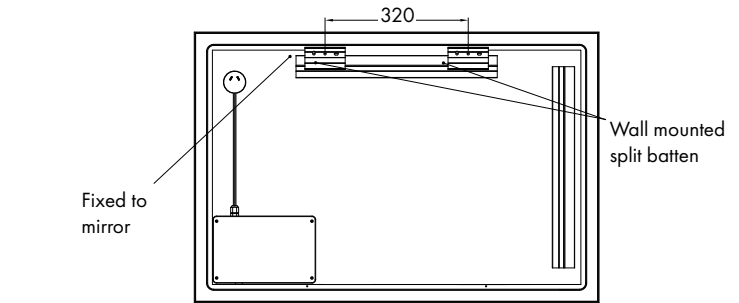
	Code
Bluetooth Speakers	BT
Mirage Magnifier	AMX5MW



Bluetooth Speakers



Mirage Magnifier



Framed R-Series also available in 1205x755mm, 605x905mm

LIGHTING SPECIFICATIONS

Superior colour rendering: CRI 90
 LED Lifetime >54,000h L80
 Adjustable colour temperature: CCT 2700K – 6500K
 Up to 12w per metre
 High efficacy, up to 814 lumens per metre

FRAME	Code	FRAME	Code
BALTIC BRASS	BB	MANHATTAN BLACK	MB
BRITS NICKEL	BN	MILANO WHITE	MW
CUBAN BRONZE	CB	NORDIC GOLD	NG
GEORGIAN METAL	GM		

GENERAL SPECIFICATION

Demister
 1 hour power saving cut off
 IP44
 Up to 600mm cord length
 Form 15 compliant
 Backlit
 Australian made & designed

CLEANING AND MAINTENANCE TIPS

Please clean mirror surface with a mixture of 10% methylated spirits and 90% water and use a soft micro-fibre cloth/ chamois.

Dry off mirror edges.

Wipe off wall water spillages immediately.

DO NOT Use any abrasive, acidic or alkaline based solvents or cleaners. Avoid sharp objects and keep heat and hot objects away from all surfaces of any Remer products.

To clean Frames, please use a soft microfibre cloth/ chamois and warm water only. DO NOT Use any abrasive, acidic or alkaline based solvents or cleaners. Avoid sharp objects and keep heat and hot objects away from all surfaces of any Remer products.

Please contact us for spart parts enquiries.



REMER

www.remer.com.au



Click or scan for installation manual

Sizes are in mm and nominal and should be checked prior to installation. Actual colours may vary so please check colour samples before ordering. Installation is acceptance of our products. Installation of faulty, warped, chipped or damaged products will void our warranty. Mirage attachment zone may vary, mirror will arrive with stickers showing exact attachment zone. Made-to-order cannot be cancelled, altered, exchanged or refunded unless faulty or damaged. 5 year replacement warranty excludes Mirage magnifier, see website for full terms.