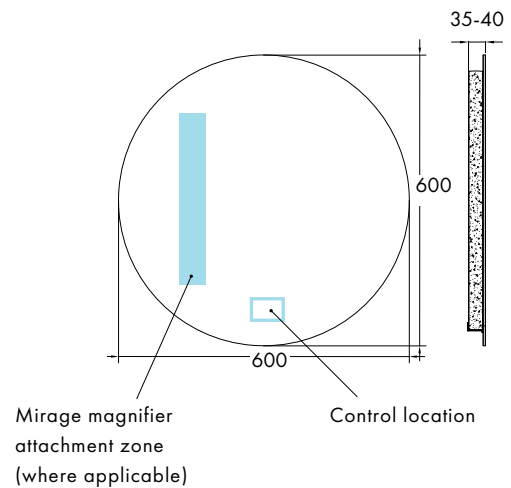
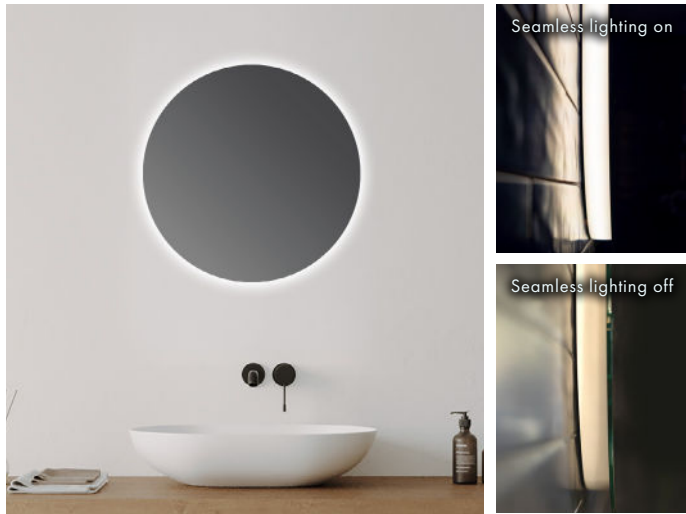


SMOKED GLASS S-SERIES 600

LED MIRROR

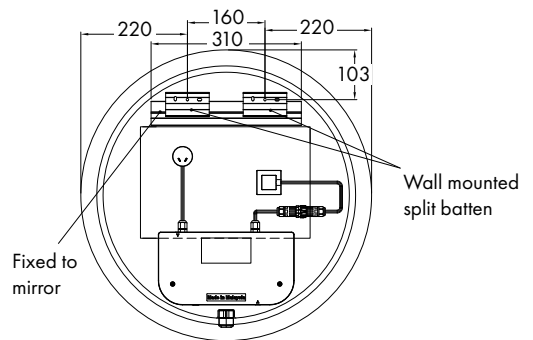
PRODUCT CODE

SNS60D



MEASUREMENTS		INSTALLATION
WIDTH	600mm	Wall mount (Split batten system)
HEIGHT	600mm	Plug-in (Recessed GPO recommended)
DEPTH	35-40mm	Input voltage: 220-240v 50/60Hz

CONTROL OPTIONS	Code		
Touch sensor with guide light	C1		
Hand wave sensor within 9cm	C2	Touch Sensor	Hand Wave Sensor
OPTIONAL ADD-ONS	Code		
Bluetooth Speakers	BT		
Mirage Magnifier	AMX5MW	Bluetooth Speakers	Mirage Magnifier



LIGHTING SPECIFICATIONS
Seamless LED lighting
Superior colour rendering: CRI 90
High-density design: 240 LEDs/m
LED Lifetime >54,000h L80
Adjustable colour temperature: CCT 2700K – 6500K
Up to 12w per metre
High efficacy, up to 1182 lumens per metre

GENERAL SPECIFICATION
5mm Guardian Glass UltraMirror® Plus
Demister
1 hour power saving cut off
RCM certified IP44 rated ModuBox®
Up to 600mm cord length
Modular construction for simplified servicing and longevity
Form 15 compliant
Backlit
Smoked coloured glass
Australian made & designed

Smoked glass S-Series also available in 800x800mm

CLEANING AND MAINTENANCE TIPS
Please clean mirror surface with a mixture of 10% methylated spirits and 90% water and use a soft micro-fibre cloth/chamois.
Dry off mirror edges.
Wipe off wall water spillages immediately.
DO NOT Use any abrasive, acidic or alkaline based solvents or cleaners. Avoid sharp objects and keep heat and hot objects away from all surfaces of any Remer products.
Please contact us for spart parts enquiries.

REMER

www.remer.com.au



Click or scan for installation manual



ModuBox®



GUARDIAN GLASS



Sizes are in mm and nominal and should be checked prior to installation. Actual colours may vary so please check colour samples before ordering. Installation is acceptance of our products. Installation of faulty, warped, chipped or damaged products will void our warranty. Mirage attachment zone may vary, mirror will arrive with stickers showing exact attachment zone. Made-to-order cannot be cancelled, altered, exchanged or refunded unless faulty or damaged. 5 year replacement warranty excludes Mirage magnifier, see website for full terms.