

# REMER

## GATSBY 450X900D

### LED MIRROR

**PRODUCT CODE**

G4590D

**SPECIFICATIONS**

WIDTH	450mm
HEIGHT	900mm
DEPTH	35mm
WEIGHT	7kg
ORIENTATION	Portrait/Landscape

**LIGHTING SPECIFICATIONS**

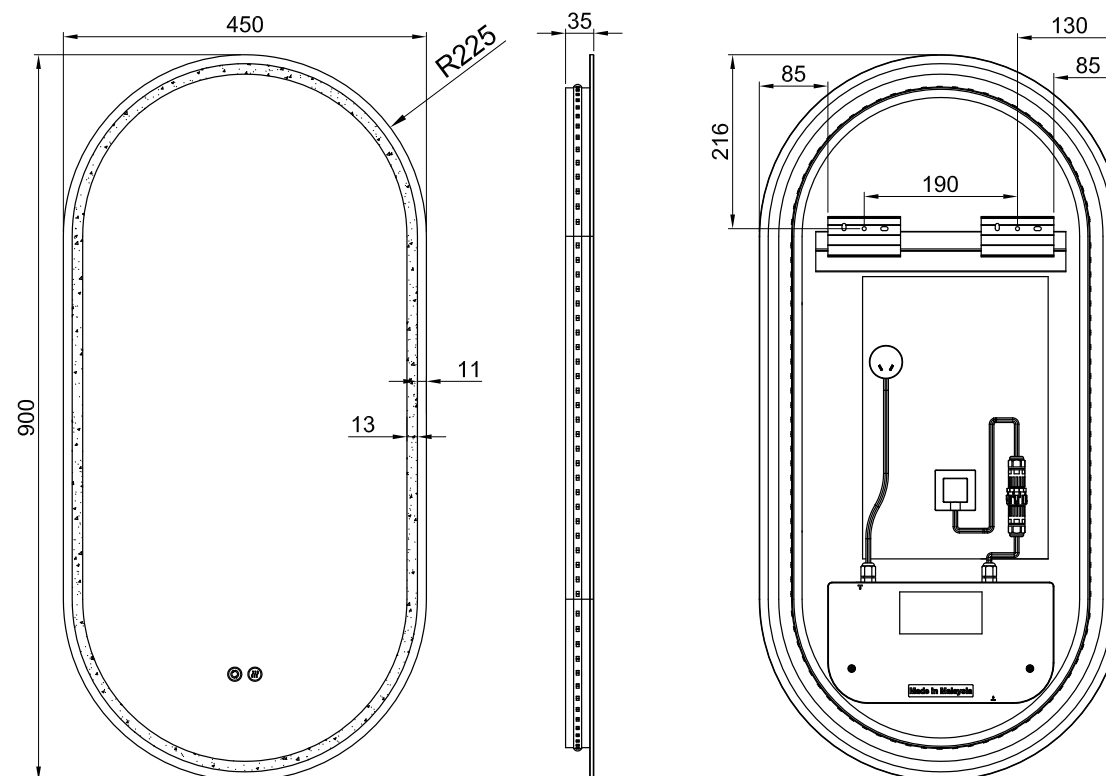
CCT	2700K - 6500K
CRI	>80

**INSTALLATION**

Wall Mount
Hardwire / Plug
Input Voltage: 220-240v 50Hz

**FEATURES**

Copper Free Mirror
LED Lighting (Adjustable Colour Temperature)
Touch Sensor
Demister with 1 Hour Auto Cut-off
Modubox™ <small>*earlier units may vary</small>


**5 YEAR  
REPLACEMENT  
WARRANTY**

Disclaimer: All LED Products requiring hardwiring must be installed by a licensed electrician in accordance with local regulations. Sizes are in mm and nominal and should be checked prior to installation. Actual colours may vary so please check colour samples before ordering. Installation is acceptance of our products. Installation of faulty, warped, chipped or damaged products will void our warranty.

13-15 Edison Road, Dandenong South VIC 3175  
T (03) 9706 6663 E sales@remer.com.au W remer.com.au

# REMER

# REMER

## GATSBY 450X900D

### LED MIRROR

#### SPECIFICATIONS

WIDTH	455mm
HEIGHT	905mm
DEPTH	40mm
WEIGHT	7kg
ORIENTATION	Portrait/Landscape

#### LIGHTING SPECIFICATIONS

CCT	2700K - 6500K
CRI	>80

#### INSTALLATION

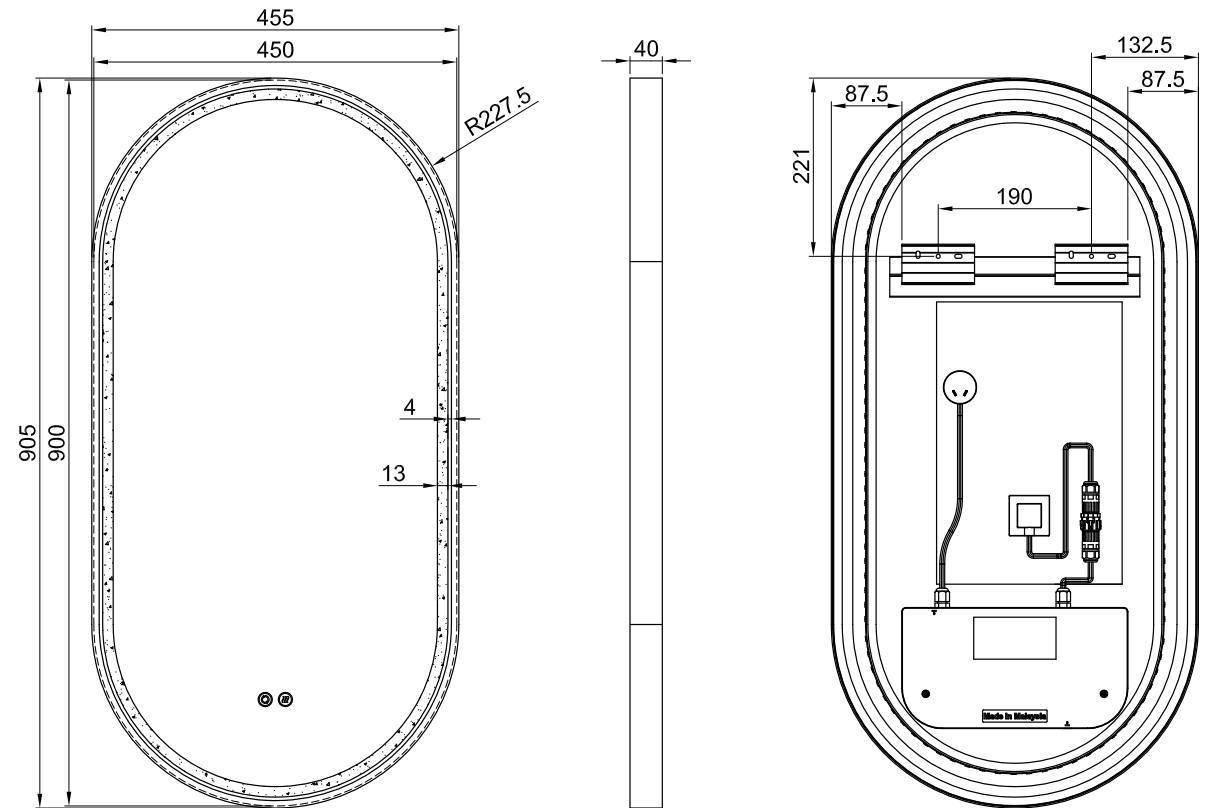
Wall Mount
Hardwire / Plug
Input Voltage: 220-240v 50Hz

#### FEATURES

Copper Free Mirror
LED Lighting (Adjustable Colour Temperature)
Touch Sensor
Demister with 1 Hour Auto Cut-off
Modubox™ <small>*earlier units may vary</small>

FINISH	PRODUCT CODE
Baltic Brass	G4590D-BB
Brits Nickel	G4590D-BN
Cuban Bronze	G4590D-CB
Georgian Metal	G4590D-GM

FINISH	PRODUCT CODE
Manhattan Black	G4590D-MB
Milano White	G4590D-MW
Nordic Gold	G4590D-NG



**5 YEAR**  
REPLACEMENT  
WARRANTY

Disclaimer: All LED Products requiring hardwiring must be installed by a licensed electrician in accordance with local regulations. Sizes are in mm and nominal and should be checked prior to installation. Actual colours may vary so please check colour samples before ordering. Installation is acceptance of our products. Installation of faulty, warped, chipped or damaged products will void our warranty.

13-15 Edison Road, Dandenong South VIC 3175  
T (03) 9706 6663 E sales@remer.com.au W remer.com.au

# REMER