

Please check actual product in box for bracket type used (Hardware)

GATSBY 600X1000D

PRODUCT CODE
 G60100D

LED MIRROR

SPECIFICATIONS

WIDTH	600mm
HEIGHT	1000mm
DEPTH	35mm
WEIGHT	10kg
ORIENTATION	Portrait/Landscape

FEATURES

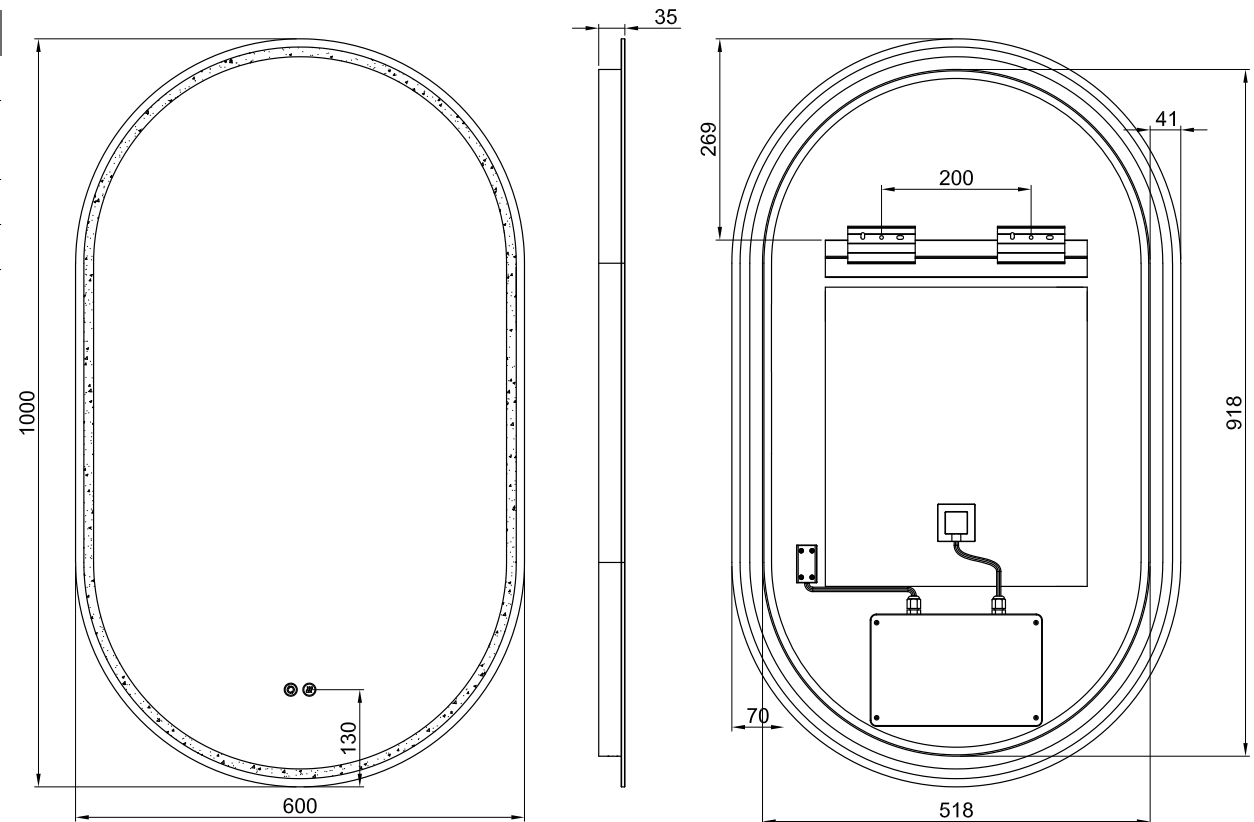
- Copper Free Mirror
- LED Lighting
(Adjustable Colour Temperature)
- Touch Sensor
- Demister with 1 Hour Auto Cut-off

LIGHTING SPECIFICATIONS

CCT	2700K - 6500K
CRI	>80

INSTALLATION

- Wall Mount
- Hardwire
- Input Voltage: 220-240v 50Hz



Disclaimer: All LED Products requiring hardwiring must be installed by a licensed electrician in accordance with local regulations. Sizes are in mm and nominal and should be checked prior to installation. Actual colours may vary so please check colour samples before ordering. Installation is acceptance of our products. Installation of faulty, warped, chipped or damaged products will void our warranty.

Please check actual product in box for bracket type used (Hardwire/Plug)

GATSBY 600X1000D

PRODUCT CODE
G60100D

LED MIRROR

SPECIFICATIONS

WIDTH	600mm
HEIGHT	1000mm
DEPTH	35mm
WEIGHT	10kg
ORIENTATION	Portrait/Landscape

LIGHTING SPECIFICATIONS

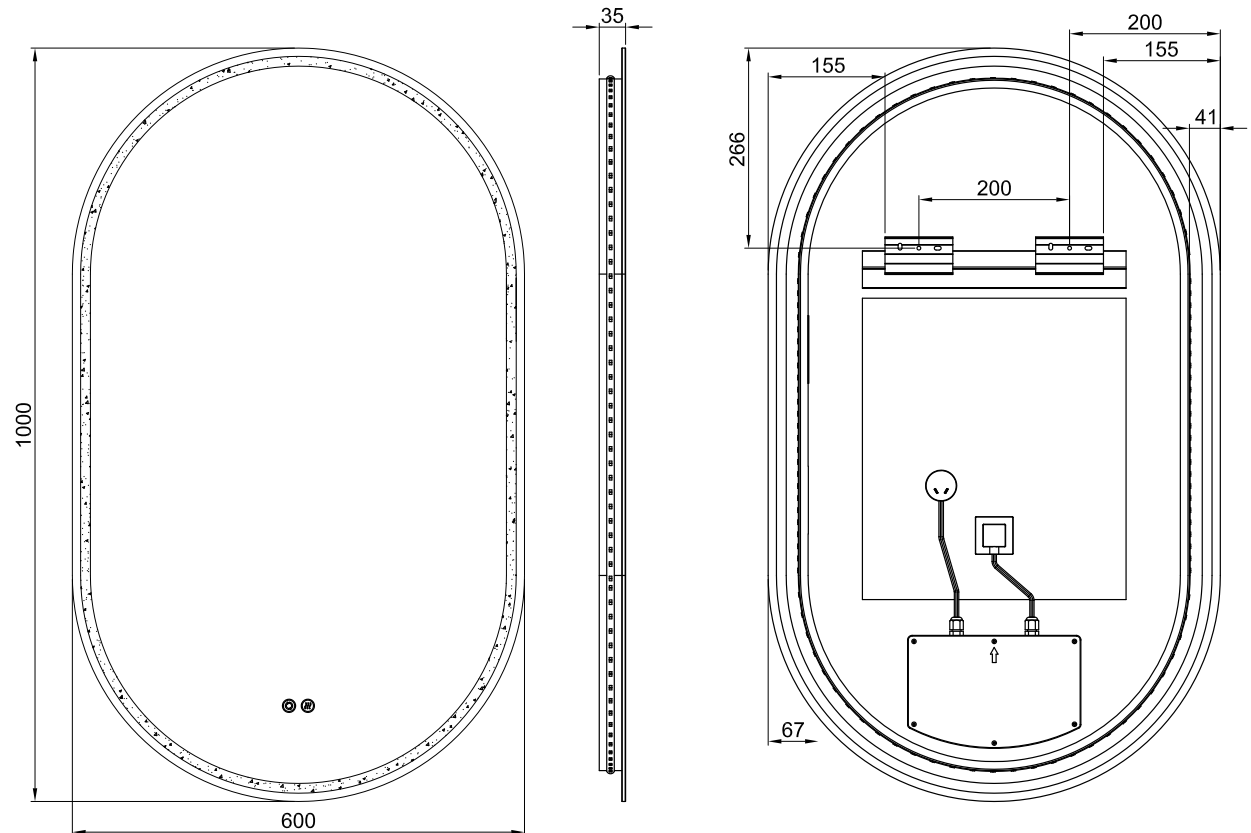
CCT	2700K - 6500K
CRI	>80

INSTALLATION

Wall Mount
Hardwire / Plug
Input Voltage: 220-240v 50Hz

FEATURES

Copper Free Mirror
LED Lighting (Adjustable Colour Temperature)
Touch Sensor
Demister with 1 Hour Auto Cut-off



Disclaimer: All LED Products requiring hardwiring must be installed by a licensed electrician in accordance with local regulations. Sizes are in mm and nominal and should be checked prior to installation. Actual colours may vary so please check colour samples before ordering. Installation is acceptance of our products. Installation of faulty, warped, chipped or damaged products will void our warranty.

Please check actual product in box for bracket type used (Hardwire/Plug)
Modubox™

GATSBY 600X1000D

PRODUCT CODE
G60100D

LED MIRROR

SPECIFICATIONS

WIDTH	600mm
HEIGHT	1000mm
DEPTH	35mm
WEIGHT	10kg
ORIENTATION	Portrait/Landscape

LIGHTING SPECIFICATIONS

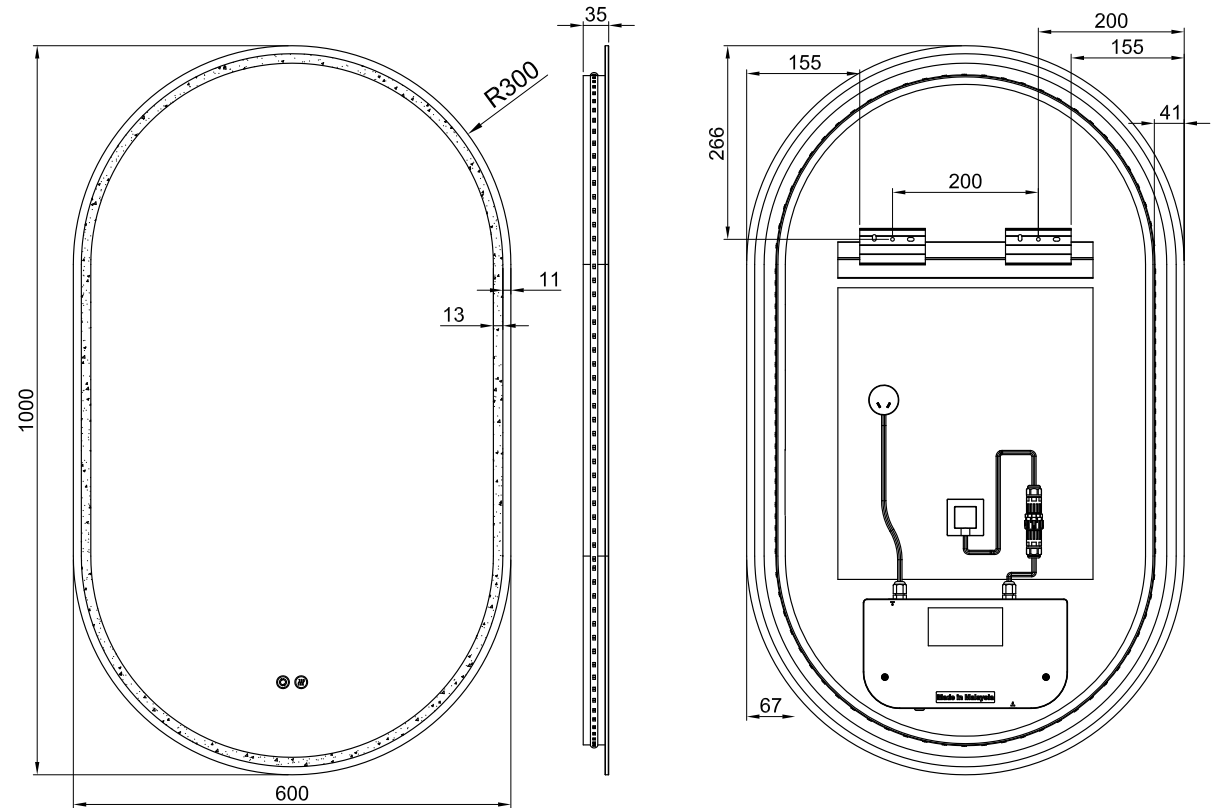
CCT	2700K - 6500K
CRI	>80

INSTALLATION

Wall Mount
Hardwire / Plug
Input Voltage: 220-240v 50Hz

FEATURES

Copper Free Mirror
LED Lighting (Adjustable Colour Temperature)
Touch Sensor
Demister with 1 Hour Auto Cut-off
Modubox™



Disclaimer: All LED Products requiring hardwiring must be installed by a licensed electrician in accordance with local regulations. Sizes are in mm and nominal and should be checked prior to installation. Actual colours may vary so please check colour samples before ordering. Installation is acceptance of our products. Installation of faulty, warped, chipped or damaged products will void our warranty.

Please check actual product in box for bracket type used (Hardware)

GATSBY 600X1000D

LED MIRROR

SPECIFICATIONS

WIDTH	605mm
HEIGHT	1005mm
DEPTH	40mm
WEIGHT	10kg
ORIENTATION	Portrait/Landscape

LIGHTING SPECIFICATIONS

CCT	2700K - 6500K
CRI	>80

INSTALLATION

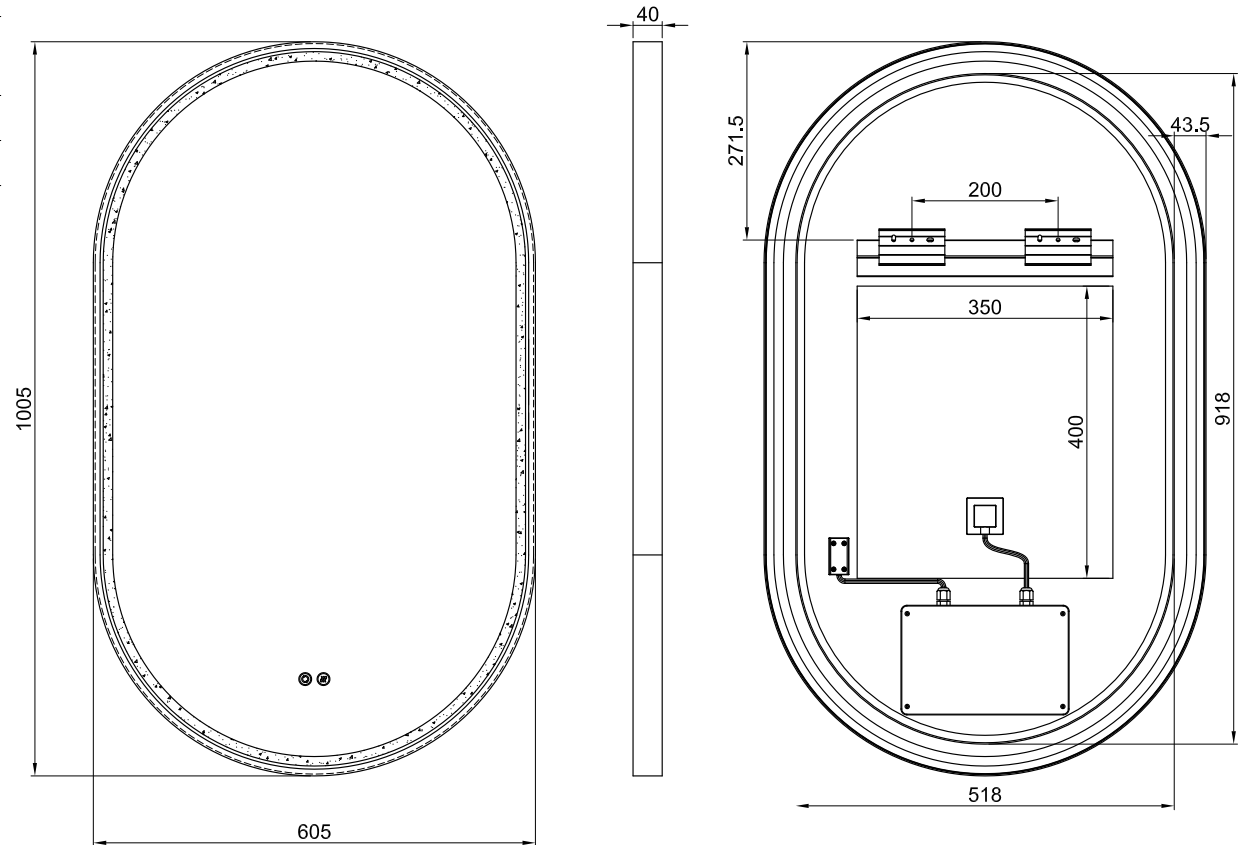
Wall Mount
Hardwire
Input Voltage: 220-240v 50Hz

FEATURES

Copper Free Mirror
LED Lighting (Adjustable Colour Temperature)
Touch Sensor
Demister with 1 Hour Auto Cut-off

FINISH	PRODUCT CODE
Baltic Brass	G60100D-BB
Brits Nickel	G60100D-BN
Cuban Bronze	G60100D-CB
Georgian Metal	G60100D-GM

FINISH	PRODUCT CODE
Manhattan Black	G60100D-MB
Milano White	G60100D-MW
Nordic Gold	G60100D-NG



Disclaimer: All LED Products requiring hardwiring must be installed by a licensed electrician in accordance with local regulations. Sizes are in mm and nominal and should be checked prior to installation. Actual colours may vary so please check colour samples before ordering. Installation is acceptance of our products. Installation of faulty, warped, chipped or damaged products will void our warranty.

Please check actual product in box for bracket type used (Hardwire/Plug)

GATSBY 600X1000D

LED MIRROR

SPECIFICATIONS

WIDTH	605mm
HEIGHT	1005mm
DEPTH	40mm
WEIGHT	10kg
ORIENTATION	Portrait/Landscape

LIGHTING SPECIFICATIONS

CCT	2700K - 6500K
CRI	>80

INSTALLATION

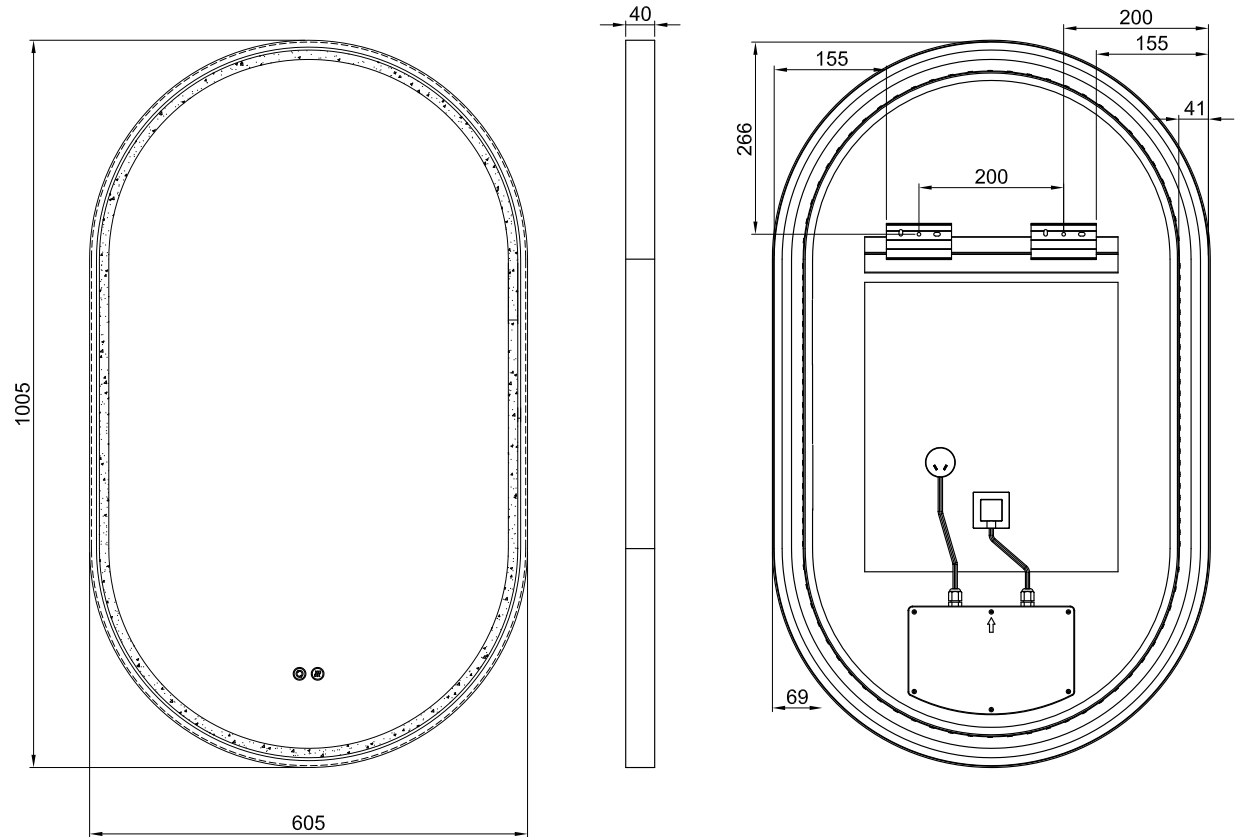
Wall Mount
Hardwire / Plug
Input Voltage: 220-240v 50Hz

FEATURES

Copper Free Mirror
LED Lighting (Adjustable Colour Temperature)
Touch Sensor
Demister with 1 Hour Auto Cut-off

FINISH	PRODUCT CODE
Baltic Brass	G60100D-BB
Brits Nickel	G60100D-BN
Cuban Bronze	G60100D-CB
Georgian Metal	G60100D-GM

FINISH	PRODUCT CODE
Manhattan Black	G60100D-MB
Milano White	G60100D-MW
Nordic Gold	G60100D-NG



Disclaimer: All LED Products requiring hardwiring must be installed by a licensed electrician in accordance with local regulations. Sizes are in mm and nominal and should be checked prior to installation. Actual colours may vary so please check colour samples before ordering. Installation is acceptance of our products. Installation of faulty, warped, chipped or damaged products will void our warranty.

Please check actual product in box for bracket type used (Hardwire/Plug)
 Modubox™

GATSBY 600X1000D

LED MIRROR

SPECIFICATIONS

WIDTH	605mm
HEIGHT	1005mm
DEPTH	40mm
WEIGHT	10kg
ORIENTATION	Portrait/Landscape

LIGHTING SPECIFICATIONS

CCT	2700K - 6500K
CRI	>80

INSTALLATION

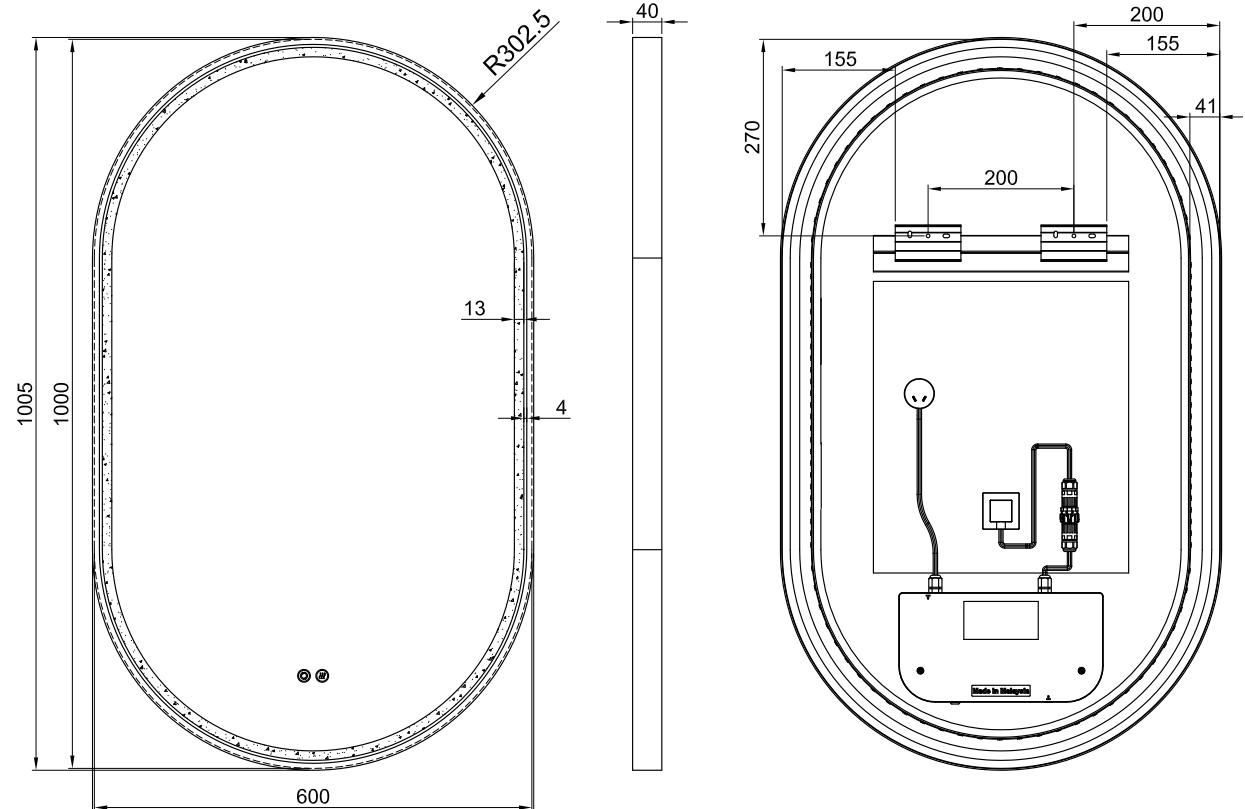
Wall Mount
Hardwire / Plug
Input Voltage: 220-240v 50Hz

FEATURES

Copper Free Mirror
LED Lighting (Adjustable Colour Temperature)
Touch Sensor
Demister with 1 Hour Auto Cut-off
Modubox™

FINISH	PRODUCT CODE
Baltic Brass	G60100D-BB
Brits Nickel	G60100D-BN
Cuban Bronze	G60100D-CB
Georgian Metal	G60100D-GM

FINISH	PRODUCT CODE
Manhattan Black	G60100D-MB
Milano White	G60100D-MW
Nordic Gold	G60100D-NG



Disclaimer: All LED Products requiring hardwiring must be installed by a licensed electrician in accordance with local regulations. Sizes are in mm and nominal and should be checked prior to installation. Actual colours may vary so please check colour samples before ordering. Installation is acceptance of our products. Installation of faulty, warped, chipped or damaged products will void our warranty.