

# MIRO 900DB

## LED MIRROR

**PRODUCT CODE**

M90DB

**SPECIFICATIONS**

WIDTH	900mm
HEIGHT	700mm
DEPTH	59mm
WEIGHT	19kg
ORIENTATION	Landscape

**LIGHTING SPECIFICATIONS**

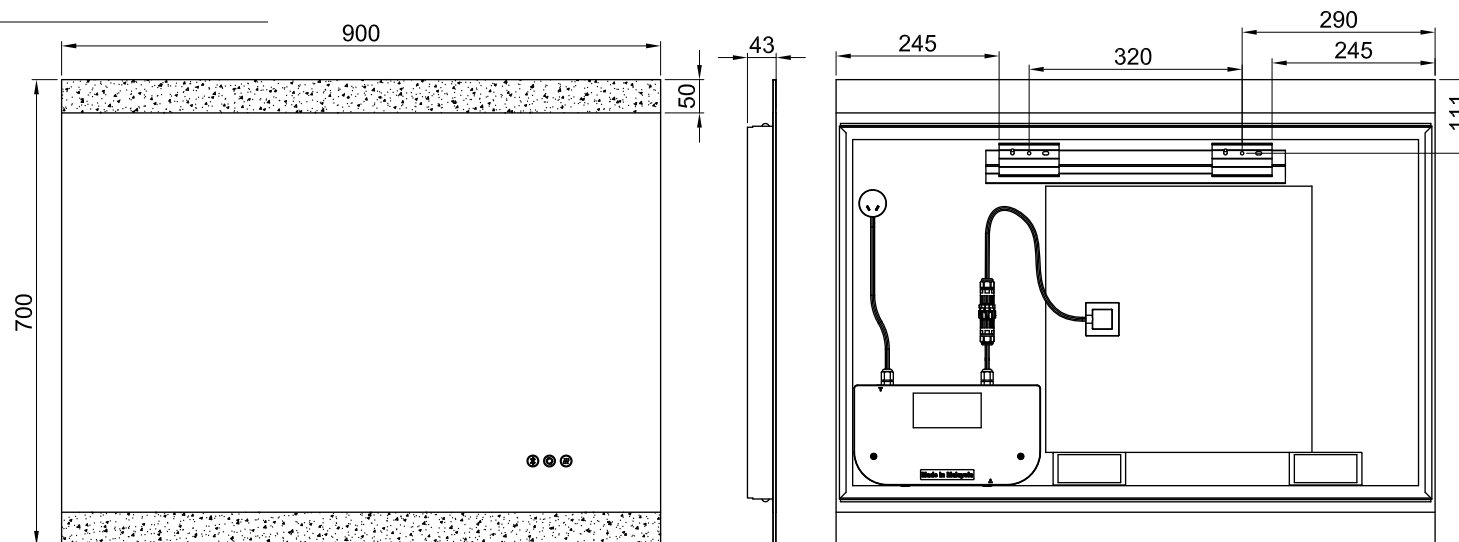
CCT	2700K - 6500K
CRI	>80

**INSTALLATION**

Wall mount
Hardwire / Plug
Input voltage: 220-240v 50Hz

**FEATURES**

Copper Free Mirror
LED Lighting (Adjustable Colour Temperature)
Touch Sensor
Demister with 1 Hour Auto Cut-off
Bluetooth Speakers
Modubox™



**5 YEAR**  
REPLACEMENT  
WARRANTY

Disclaimer: All LED Products requiring hardwiring must be installed by a licensed electrician in accordance with local regulations. Sizes are in mm and nominal and should be checked prior to installation. Actual colours may vary so please check colour samples before ordering. Installation is acceptance of our products. Installation of faulty, warped, chipped or damaged products will void our warranty.

13-15 Edison Road, Dandenong South VIC 3175  
T (03) 9706 6663 E sales@remer.com.au W remer.com.au