

R-SERIES 1500

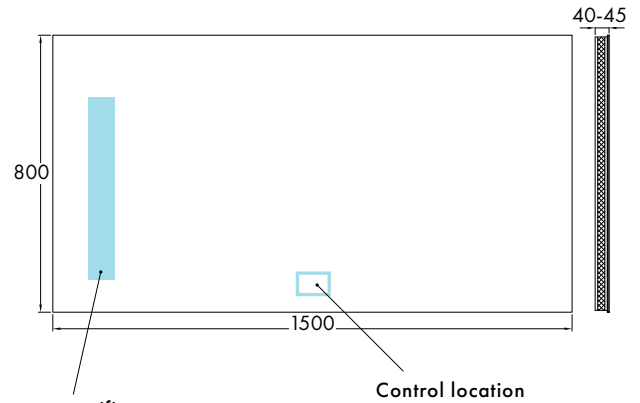
LED MIRROR



Click or scan for
installation manual

PRODUCT CODE

RN150D



Mirage magnifier
attachment zone
(where applicable)

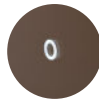
Control location

MEASUREMENTS		INSTALLATION
WIDTH	1500mm	Wall mount (Split batten system)
HEIGHT	800mm	Plug-in (Recessed GPO recommended)
DEPTH	40-45mm	Input voltage: 220-240v 50/60Hz

CONTROL OPTIONS

Code

- Touch sensor with guide light C1
- Hand wave sensor within 9cm C2



Touch Sensor



Hand Wave Sensor

OPTIONAL ADD-ONS

Code

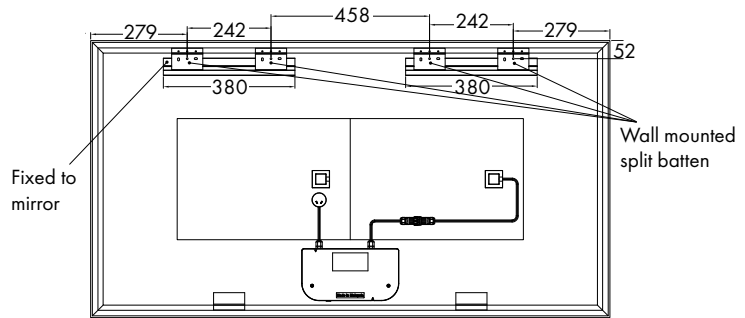
- Bluetooth Speakers BT
- Mirage Magnifier AMX5MW



Bluetooth Speakers



Mirage Magnifier



Fixed to mirror

Wall mounted
split batten

LIGHTING SPECIFICATIONS

- Seamless LED lighting
- Superior colour rendering: CRI 90
- High-density design: 240 LEDs/m
- LED Lifetime >54,000h L80
- Adjustable colour temperature: CCT 2700K – 6500K
- Up to 12w per metre
- High efficacy, up to 1182 lumens per metre

R-Series also available in 900x600mm, 1200x750mm, 1800x800mm and portrait 600x900mm, 750x900mm

CLEANING AND MAINTENANCE TIPS

Please clean mirror surface with a mixture of 10% methylated spirits and 90% water and use a soft micro-fibre cloth/chamois.

Dry off mirror edges.

Wipe off wall water spillages immediately.

DO NOT Use any abrasive, acidic or alkaline based solvents or cleaners. Avoid sharp objects and keep heat and hot objects away from all surfaces of any Remer products.

Please contact us for spart parts enquiries.

GENERAL SPECIFICATION

- 5mm Guardian Glass UltraMirror® Plus
- Demister
- 1 hour power saving cut off
- RCM certified IP44 rated ModuBox®
- Up to 600mm cord length
- Modular construction for simplified servicing and longevity
- Form 15 compliant
- Backlit
- Australian made & designed



ModuBox®



GUARDIAN GLASS



REMER

www.remer.com.au

Sizes are in mm and nominal and should be checked prior to installation. Actual colours may vary so please check colour samples before ordering. Installation is acceptance of our products. Installation of faulty, warped, chipped or damaged products will void our warranty. Mirage attachment zone may vary, mirror will arrive with stickers showing exact attachment zone. Made-to-order cannot be cancelled, altered, exchanged or refunded unless faulty or damaged. 5 year replacement warranty excludes Mirage magnifier, see website for full terms.