

O-SERIES LANDSCAPE 1200

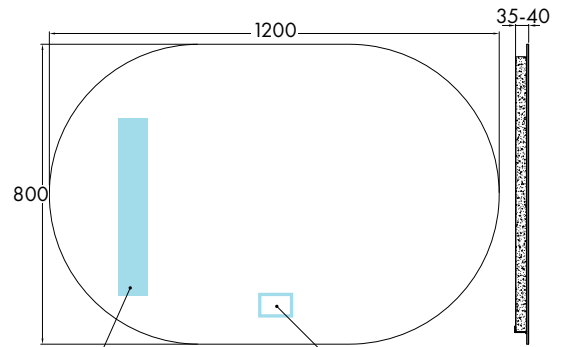
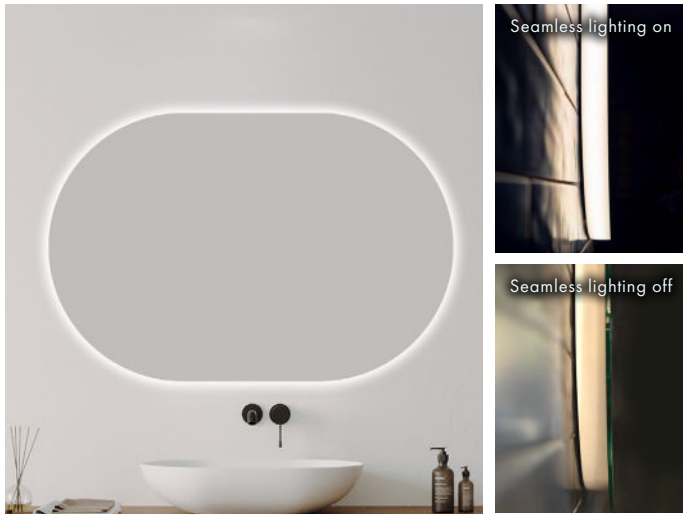
LED MIRROR



Click or scan for
installation manual

PRODUCT CODE

ON120D



Mirage magnifier
attachment zone
(where applicable)

Control location

MEASUREMENTS

WIDTH	1200mm
HEIGHT	800mm
DEPTH	35-40mm

INSTALLATION

Wall mount (Split batten system)
Plug-in (Recessed GPO recommended)
Input voltage: 220-240v 50/60Hz

CONTROL OPTIONS

	Code
Touch sensor with guide light	C1
Hand wave sensor within 9cm	C2



Touch Sensor



Hand Wave Sensor

OPTIONAL ADD-ONS

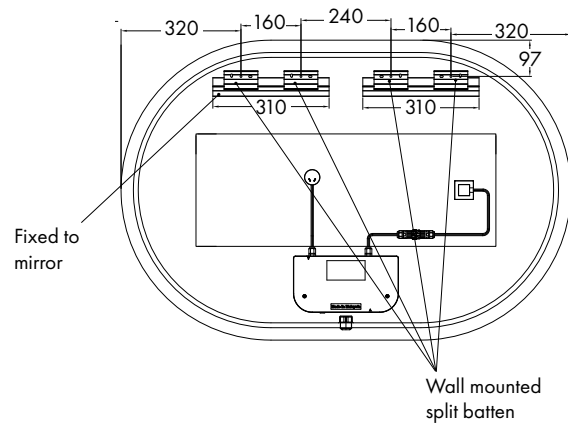
	Code
Bluetooth Speakers	BT
Mirage Magnifier	AMX5MW



Bluetooth Speakers



Mirage Magnifier



Fixed to mirror

Wall mounted
split batten

LIGHTING SPECIFICATIONS

- Seamless LED lighting
- Superior colour rendering: CRI 90
- High-density design: 240 LEDs/m
- LED Lifetime >54,000h L80
- Adjustable colour temperature: CCT 2700K – 6500K
- Up to 12w per metre
- High efficacy, up to 1182 lumens per metre

O-Series also available in 900x600mm, 1500x800mm, 1800x900mm and portrait 450x900mm, 600x1000mm

CLEANING AND MAINTENANCE TIPS

Please clean mirror surface with a mixture of 10% methylated spirits and 90% water and use a soft micro-fibre cloth/chamois.

Dry off mirror edges.

Wipe off wall water spillages immediately.

DO NOT Use any abrasive, acidic or alkaline based solvents or cleaners. Avoid sharp objects and keep heat and hot objects away from all surfaces of any Remer products.

Please contact us for spart parts enquiries.

GENERAL SPECIFICATION

- 5mm Guardian Glass UltraMirror® Plus
- Demister
- 1 hour power saving cut off
- RCM certified IP44 rated ModuBox®
- Up to 600mm cord length
- Modular construction for simplified servicing and longevity
- Form 15 compliant
- Backlit
- Australian made & designed



ModuBox®



GUARDIAN GLASS



Sizes are in mm and nominal and should be checked prior to installation. Actual colours may vary so please check colour samples before ordering. Installation is acceptance of our products. Installation of faulty, warped, chipped or damaged products will void our warranty. Mirage attachment zone may vary, mirror will arrive with stickers showing exact attachment zone. Made-to-order cannot be cancelled, altered, exchanged or refunded unless faulty or damaged. 5 year replacement warranty excludes Mirage magnifier, see website for full terms.



www.remer.com.au