

LUNA 900

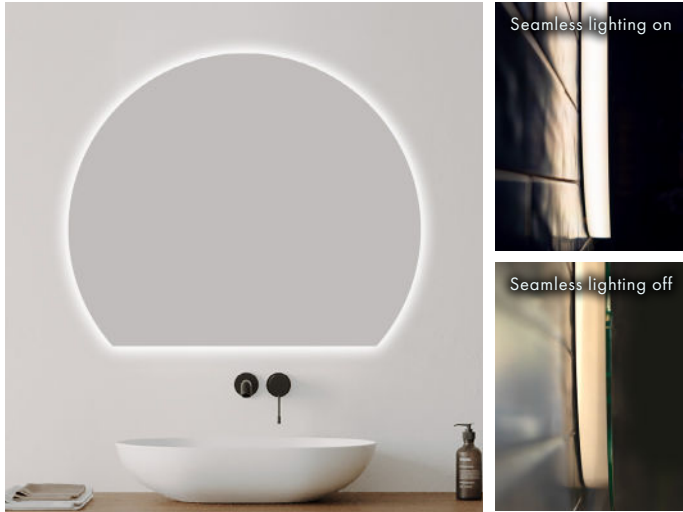
LED MIRROR



Click or scan for
installation manual

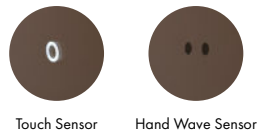
PRODUCT CODE

LUN90D

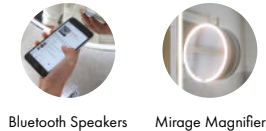


| MEASUREMENTS | | INSTALLATION |
|--------------|---------|------------------------------------|
| WIDTH | 900mm | Wall mount (Split batten system) |
| HEIGHT | 750mm | Plug-in (Recessed GPO recommended) |
| DEPTH | 35-40mm | Input voltage: 220-240v 50/60Hz |

| CONTROL OPTIONS | Code |
|-------------------------------|------|
| Touch sensor with guide light | C1 |
| Hand wave sensor within 9cm | C2 |



| OPTIONAL ADD-ONS | Code |
|--------------------|--------|
| Bluetooth Speakers | BT |
| Mirage Magnifier | AMX5MW |

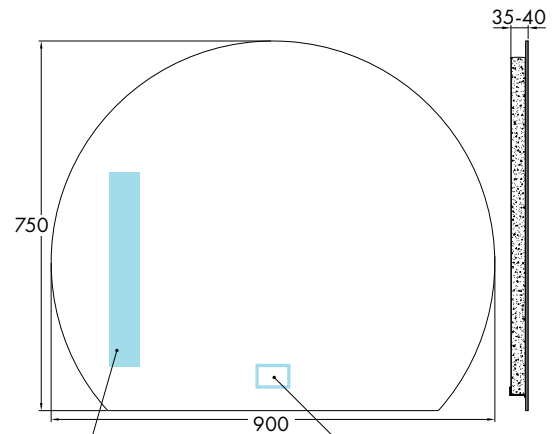


LIGHTING SPECIFICATIONS

- Seamless LED lighting
- Superior colour rendering: CRI 90
- High-density design: 240 LEDs/m
- LED Lifetime >54,000h L80
- Adjustable colour temperature: CCT 2700K – 6500K
- Up to 12w per metre
- High efficacy, up to 1182 lumens per metre

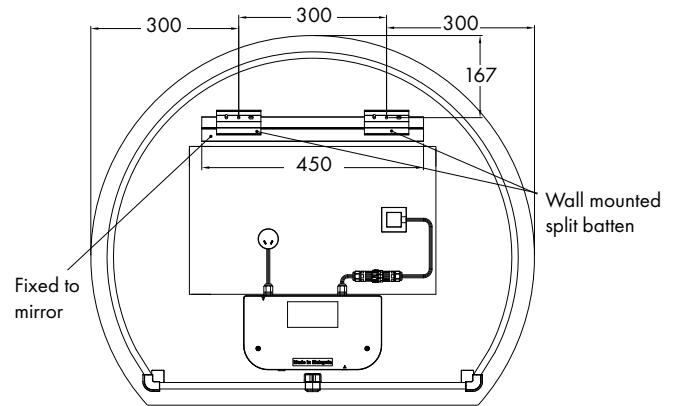
GENERAL SPECIFICATION

- 5mm Guardian Glass UltraMirror® Plus
- Demister
- 1 hour power saving cut off
- RCM certified IP44 rated ModuBox®
- Up to 600mm cord length
- Modular construction for simplified servicing and longevity
- Form 15 compliant
- Backlit
- Australian made & designed



Mirage magnifier
attachment zone
(where applicable)

Control location



Luna also available in 1200x900mm, 1500x1000mm

CLEANING AND MAINTENANCE TIPS

- Please clean mirror surface with a mixture of 10% methylated spirits and 90% water and use a soft micro-fibre cloth/ chamois.
- Dry off mirror edges.
- Wipe off wall water spillages immediately.
- DO NOT Use any abrasive, acidic or alkaline based solvents or cleaners. Avoid sharp objects and keep heat and hot objects away from all surfaces of any Remer products.
- Please contact us for spart parts enquiries.



www.remer.com.au



ModuBox®



GUARDIAN GLASS



Sizes are in mm and nominal and should be checked prior to installation. Actual colours may vary so please check colour samples before ordering. Installation is acceptance of our products. Installation of faulty, warped, chipped or damaged products will void our warranty. Mirage attachment zone may vary, mirror will arrive with stickers showing exact attachment zone. Made-to-order cannot be cancelled, altered, exchanged or refunded unless faulty or damaged. 5 year replacement warranty excludes Mirage magnifier, see website for full terms.