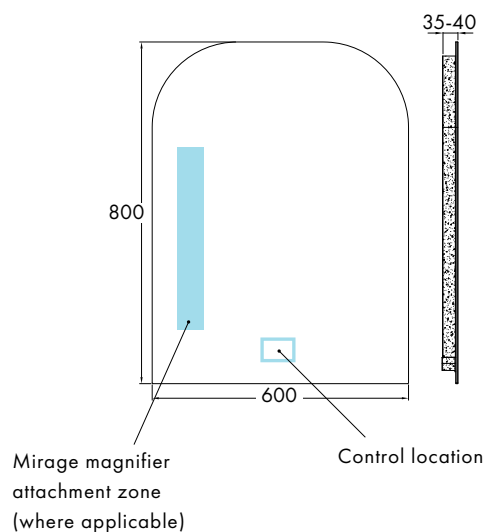
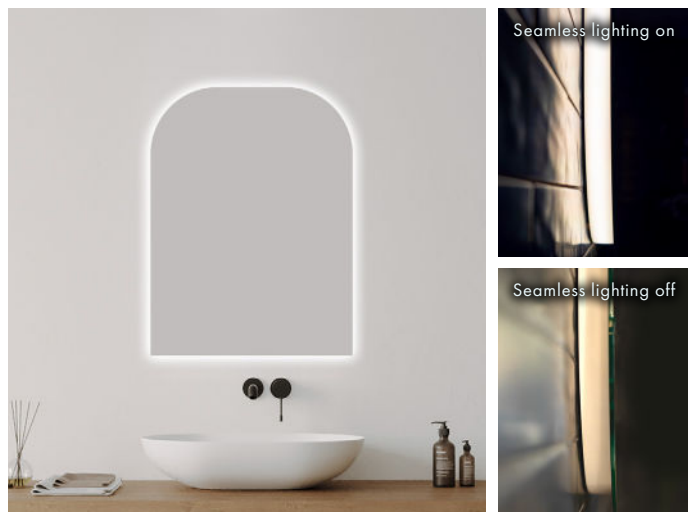


COVE 600

LED MIRROR

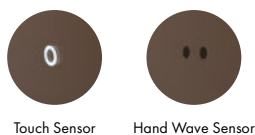
PRODUCT CODE

CVE60D

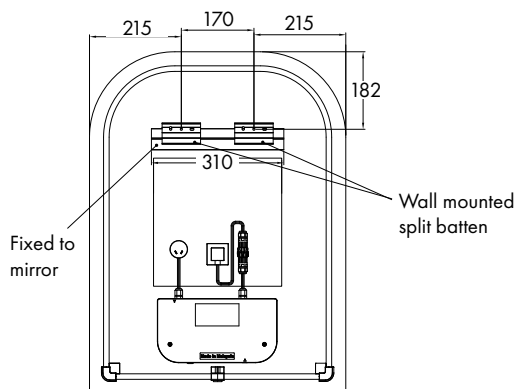
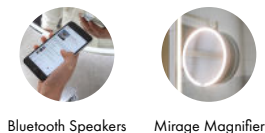


MEASUREMENTS		INSTALLATION
WIDTH	600mm	Wall mount (Split batten system)
HEIGHT	800mm	Plug-in (Recessed GPO recommended)
DEPTH	35-40mm	Input voltage: 220-240v 50/60Hz

CONTROL OPTIONS	Code
Touch sensor with guide light	C1
Hand wave sensor within 9cm	C2



OPTIONAL ADD-ONS	Code
Bluetooth Speakers	BT
Mirage Magnifier	AMX5MW



LIGHTING SPECIFICATIONS

- Seamless LED lighting
- Superior colour rendering: CRI 90
- High-density design: 240 LEDs/m
- LED Lifetime >54,000h L80
- Adjustable colour temperature: CCT 2700K – 6500K
- Up to 12w per metre
- High efficacy, up to 1182 lumens per metre

GENERAL SPECIFICATION

- 5mm Guardian Glass UltraMirror® Plus
- Demister
- 1 hour power saving cut off
- RCM certified IP44 rated ModuBox®
- Up to 600mm cord length
- Modular construction for simplified servicing and longevity
- Form 15 compliant
- Backlit
- Australian made & designed

Cove also available in 750x800mm, 900x900mm, 1200x900mm

CLEANING AND MAINTENANCE TIPS

Please clean mirror surface with a mixture of 10% methylated spirits and 90% water and use a soft micro-fibre cloth/ chamois.

Dry off mirror edges.

Wipe off wall water spillages immediately.

DO NOT Use any abrasive, acidic or alkaline based solvents or cleaners. Avoid sharp objects and keep heat and hot objects away from all surfaces of any Remer products.

To clean Frames, please use a soft microfibre cloth/ chamois and warm water only DO NOT Use any abrasive, acidic or alkaline based solvents or cleaners. Avoid sharp objects and keep heat and hot objects away from all surfaces of any Remer products.

Please contact us for spart parts enquiries.



ModuBox®



www.remer.com.au



Click or scan for installation manual

Sizes are in mm and nominal and should be checked prior to installation. Actual colours may vary so please check colour samples before ordering. Installation is acceptance of our products. Installation of faulty, warped, chipped or damaged products will void our warranty. Mirage attachment zone may vary, mirror will arrive with stickers showing exact attachment zone. Made-to-order cannot be cancelled, altered, exchanged or refunded unless faulty or damaged. 5 year replacement warranty excludes Mirage magnifier, see website for full terms.